



SMART CASUAL MEN  
MADE TO MEASURE





smart, narrow  
silhouette,  
short at base,  
round bottom

soft, but tailored shoulder line



shirt sleeve technology



all over HSE stitching



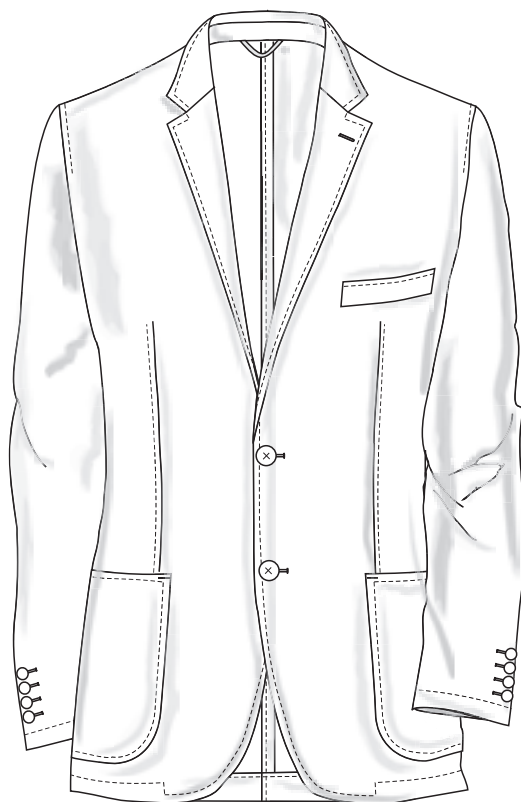
sophisticated inside look



Model  
ORANGE line

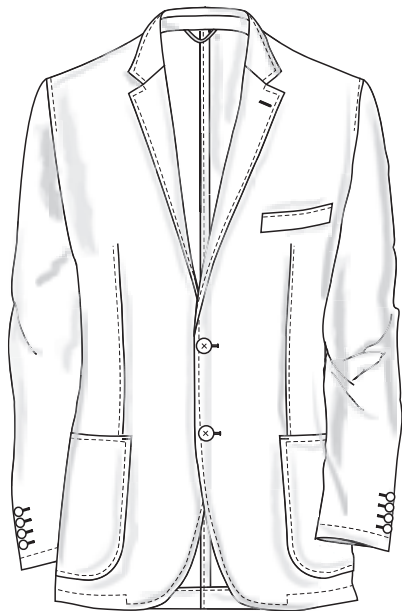
slim cut  
slim silhouett  
lower armhole  
fitted cut

Type



code

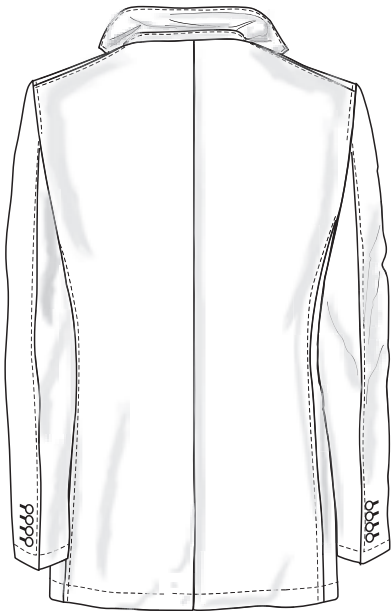
1CA  
unconstructed  
Casual



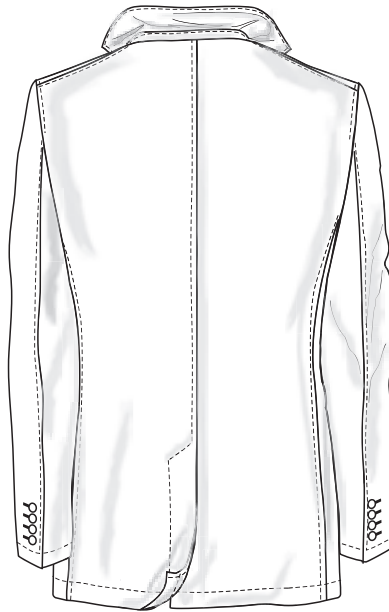
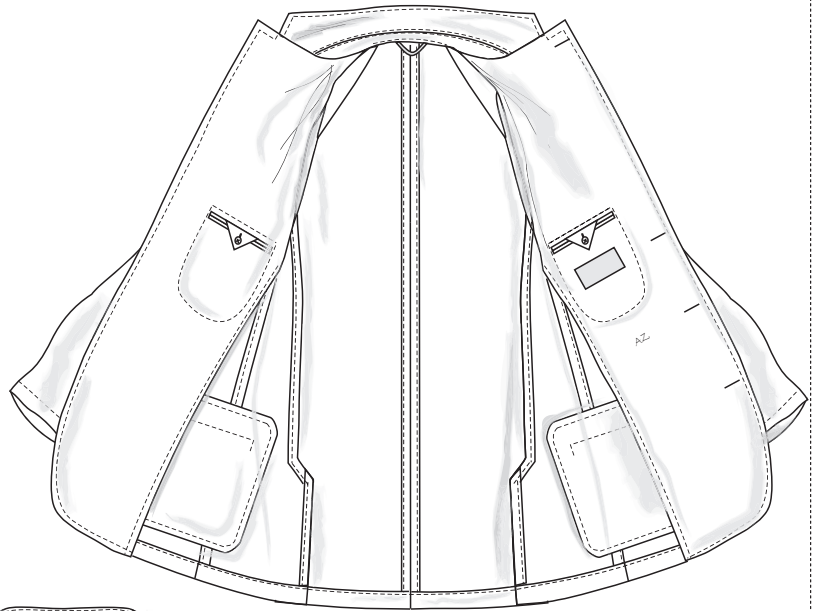
code  
**2A**  
single breasted,  
2 buttons



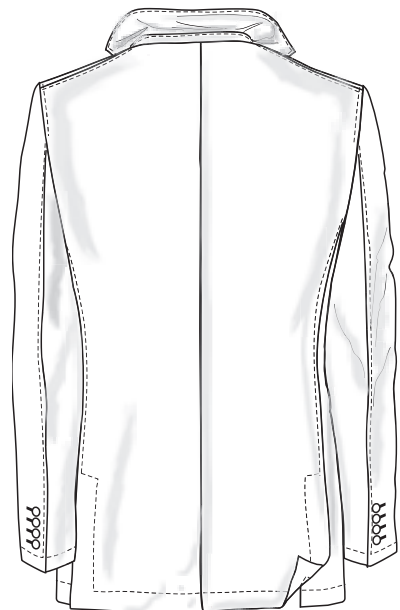
code  
**2B**  
single breasted,  
3 buttons



code  
**3A5**  
plain back



code  
**3B5**  
centre vent

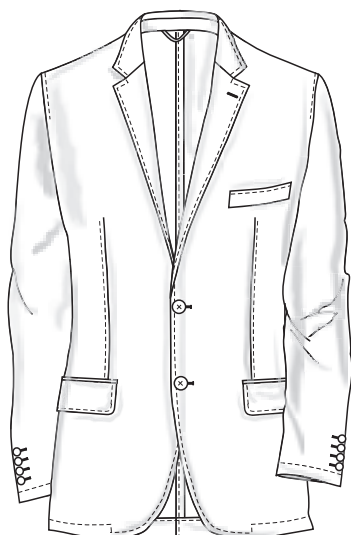


code  
**3C5**  
side vents

code

**4C2**

welt breast pocket,  
flap side pockets



code

**4E2**

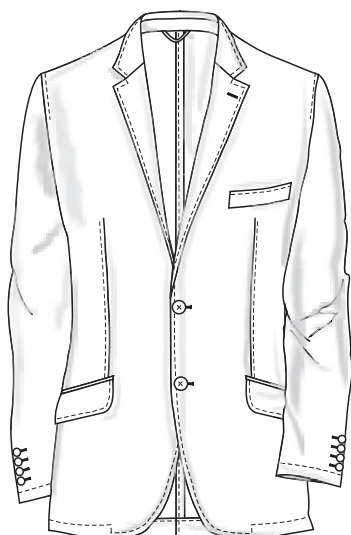
welt breast pocket,  
flap side pockets,  
ticket pocket



code

**4D2**

welt breast pocket,  
slat flap side pockets



code

**4F2**

welt breast pocket,  
slant flap side pockets,  
slant ticket pocket



code

**4A2**

welt breast pocket,  
side patch pockets



code

**4A3**

patch breast pocket,  
side patch pockets



## shame cuff styles

buttons  
side by side

buttons  
overlapping



code

**5S3**

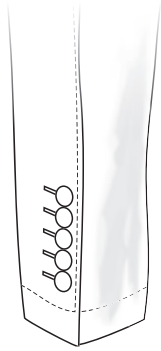
shame cuffs,  
3 buttons



code

**5S4**

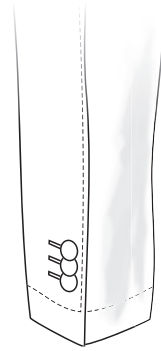
shame cuffs,  
4 buttons



code

**5S5**

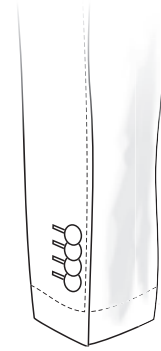
shame cuffs,  
5 buttons



code

**5S3X**

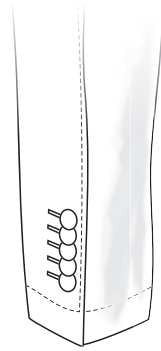
shame cuffs,  
3 buttons,  
kissing buttons



code

**5S4X**

shame cuffs,  
4 buttons,  
kissing buttons



code

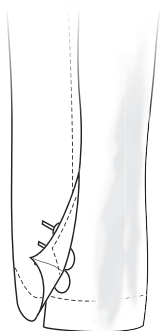
**5S5X**

shame cuffs,  
5 buttons,  
kissing buttons

## open cuff styles

buttons  
side by side

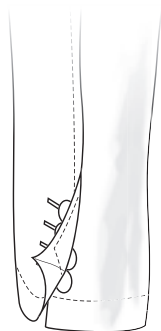
buttons  
overlapping



code

**5O3**

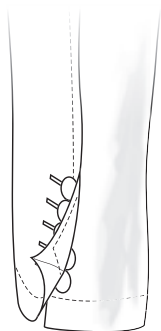
real button  
holes,  
3 buttons



code

**5O4**

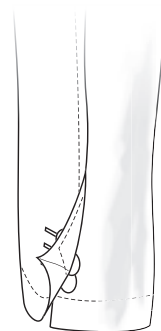
real button  
holes,  
4 buttons



code

**5O5**

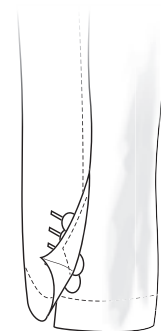
real button  
holes,  
5 buttons



code

**5O3X**

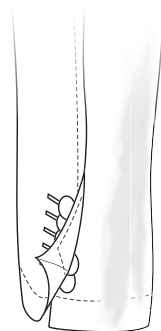
real button  
holes,  
3 buttons,  
kissing buttons



code

**5O4X**

real button  
holes,  
4 buttons,  
kissing buttons

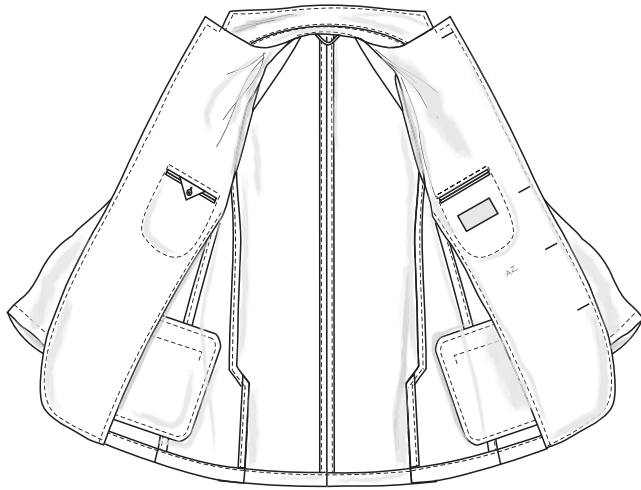


code

**5O5X**

real button  
holes,  
5 buttons,  
kissing buttons



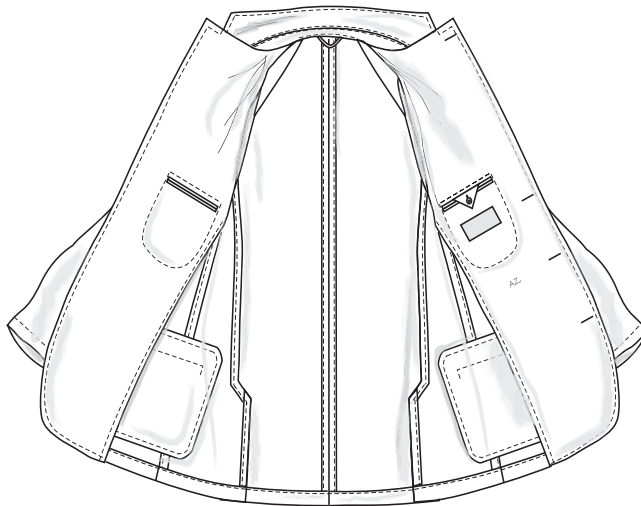


STANDARD

code

**6CAR**

2 pockets,  
security pocket RIGHT

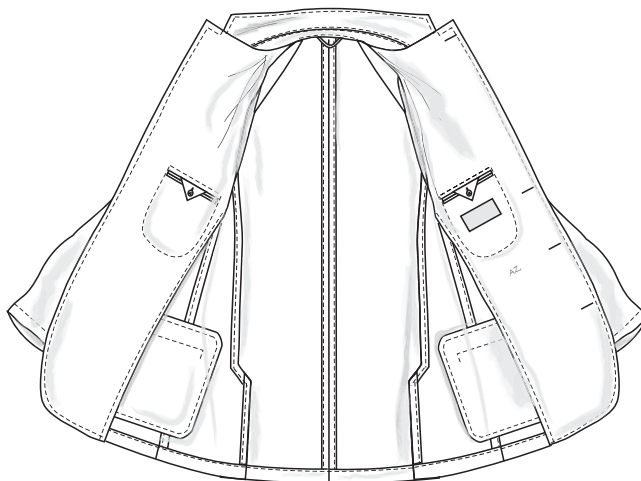


VARIATION

code

**6CAL**

2 pockets,  
security pocket LEFT



VARIATION

code

**6CAB**

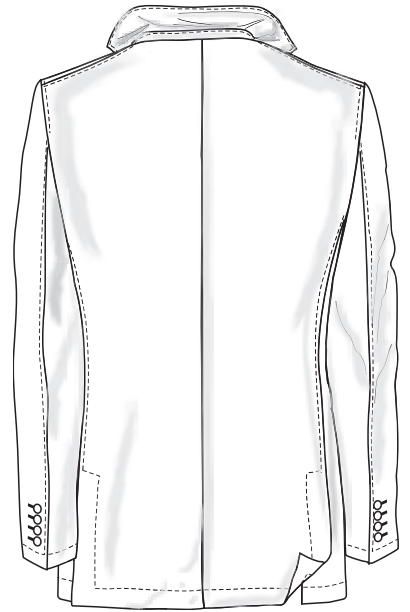
2 pockets,  
security pocket - BOTH SIDES

*For contrasts you can choose the color of pocket  
jettings \* from the colour card.*





code  
**7C1**  
AMF 1 mm,  
all seams stitching





code

**EA**

badge to be fitted  
(supplied by customer)



code

**SBH**

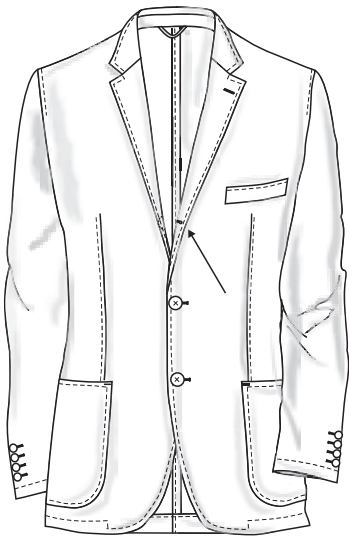
second buttonhole  
on right lapel



code

**OR**

without lapel  
buttonhole



code

**THB**

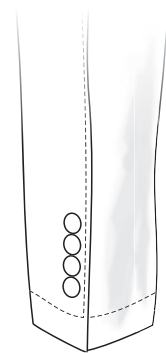
2 and 1/2 button



code

**AOO**

sleeves without  
buttonholes



code

**AOM**

sleeves without  
buttonholes and  
buttons on

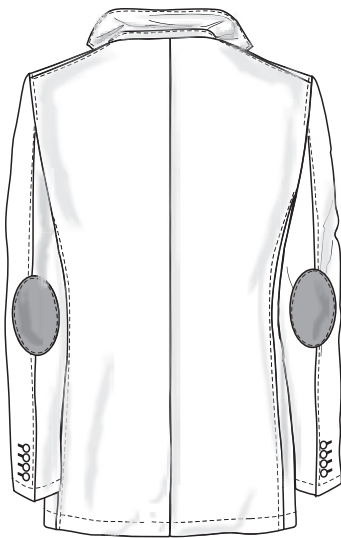
- FO - front without buttonholes
- FR - flower buttonhole - lapel
- SV - Special embroidery  
(Description, picture, position,  
size and colour of the stitching  
to Stylers)



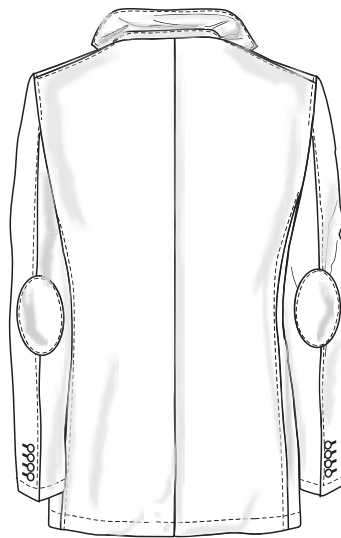
Contrast collar \*



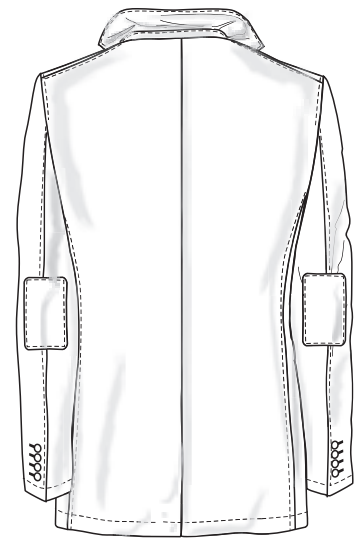
Contrast undercollar \*



Leather elbow patches \*



Fabric elbow patches - round \*



Fabric elbow patches - square \*

### Contrasts - Sewing

- contrast lapel button hole \*
- contrast front button holes \*
- contrast sleeve 1st button hole \*
- contrast sleeve 2nd button hole \*
- contrast sleeve all button holes \*

### Contrast - Materials

- jettings inside pockets \*

belt prong loop / metal zipper  
/ double buttoning



back waistband vent / hanger loop



fabric inside waistband  
/ tailored pocket bags



Model  
ORANGE line

slim silhouett  
lower seat  
slim leg

Type

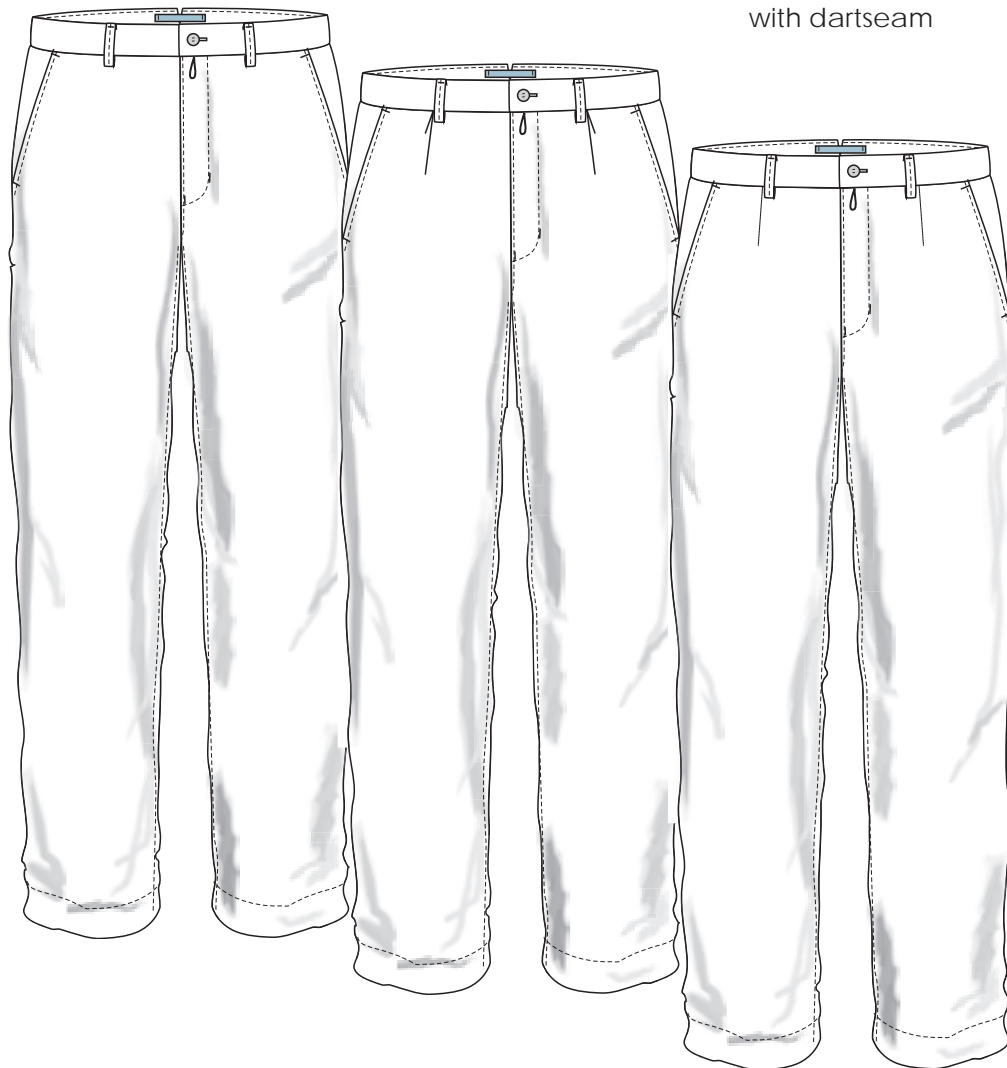
code  
1CH  
normal

Basic Style

code  
2A  
Plain front  
without dartseam

code  
2B  
1 reverse  
pleat

code  
2D  
Plain front  
with dartseam



code

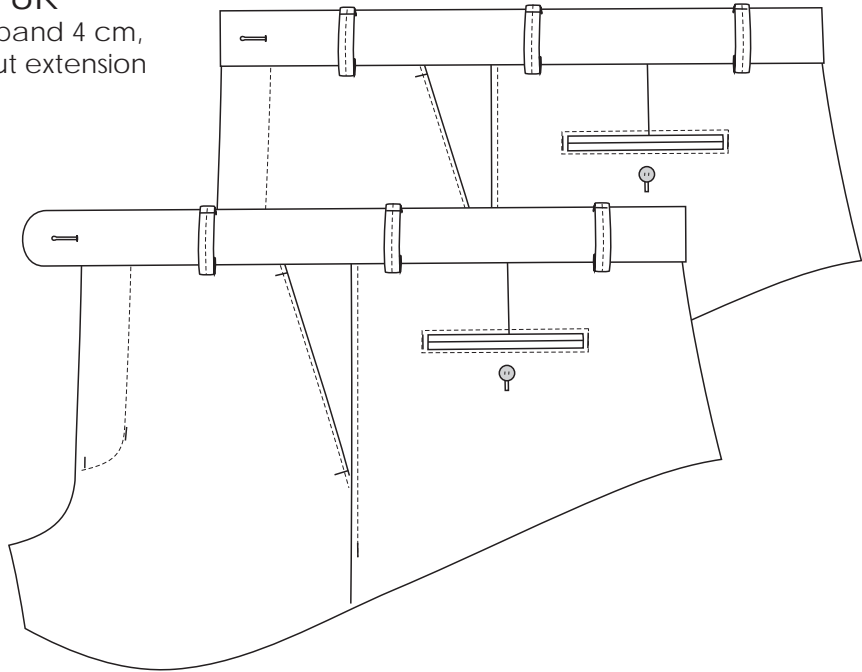
**8K**

Waistband 4 cm,  
without extension

code

**8L**

Waistband 4 cm,  
round extension



variant

**00**

without  
belt loops

variant

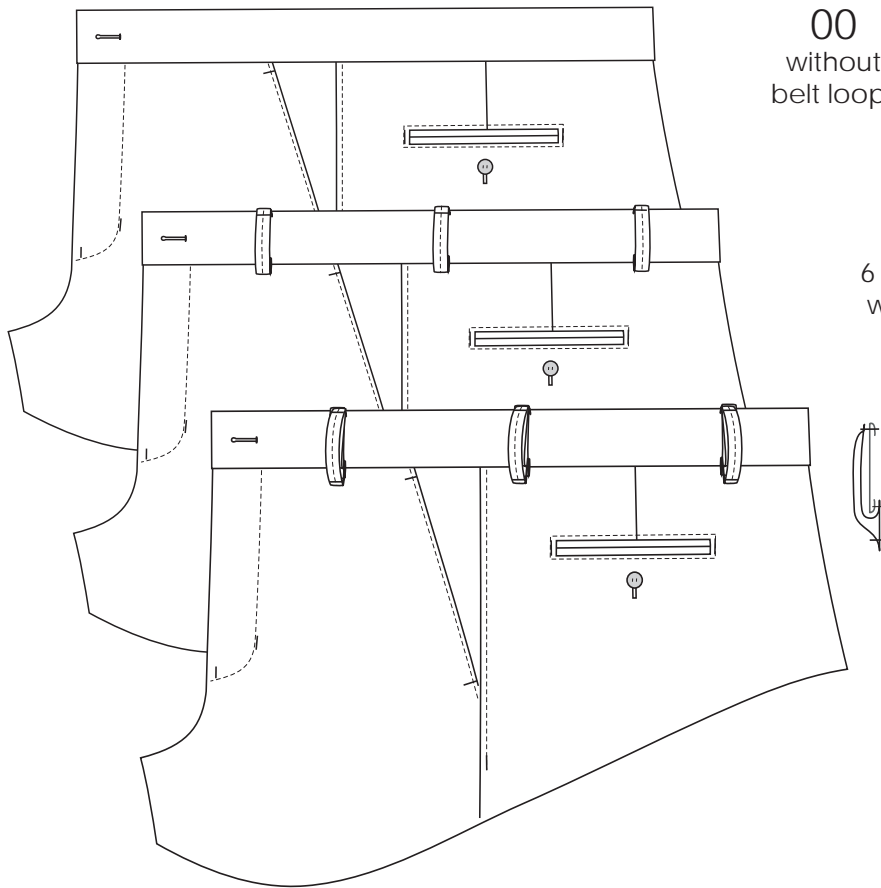
**01**

6 belt loops,  
width 1 cm

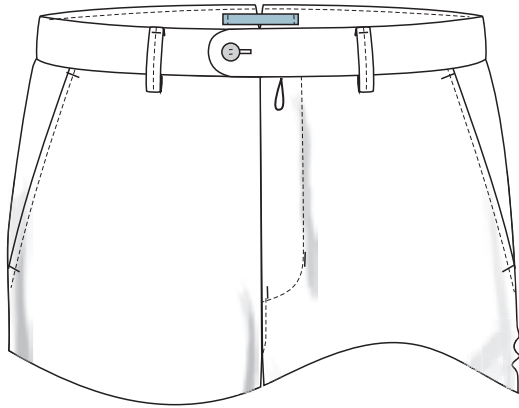
variant

**02**

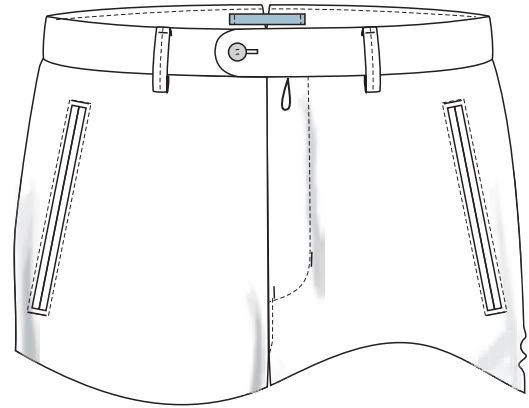
6 double  
belt loops,  
width 1 cm



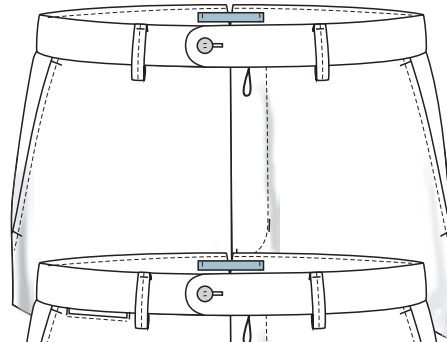
code  
**3A**  
slant side  
pockets



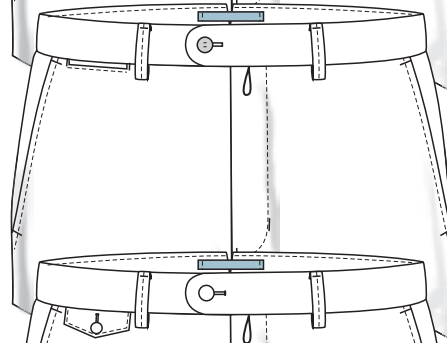
code  
**3C**  
jetted  
pockets



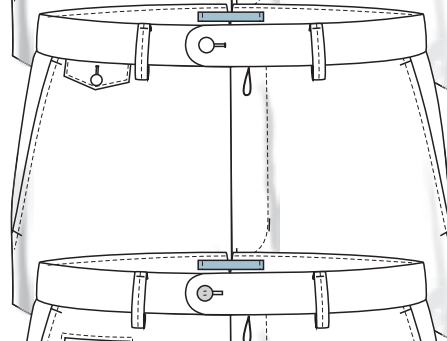
variant  
**00**  
without  
watch pocket



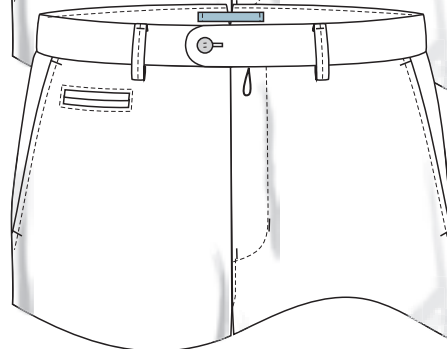
variant  
**01**  
watch pocket  
in seam



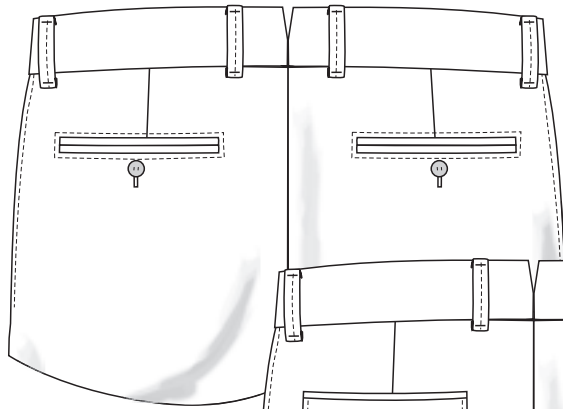
variant  
**02**  
watch pocket  
in seam with flap  
and button



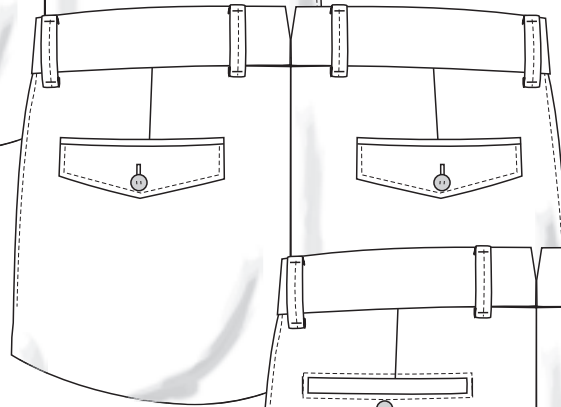
variant  
**03**  
watch pocket  
jetted, type 1



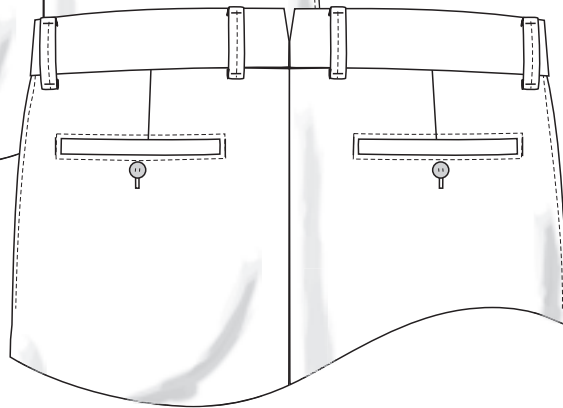




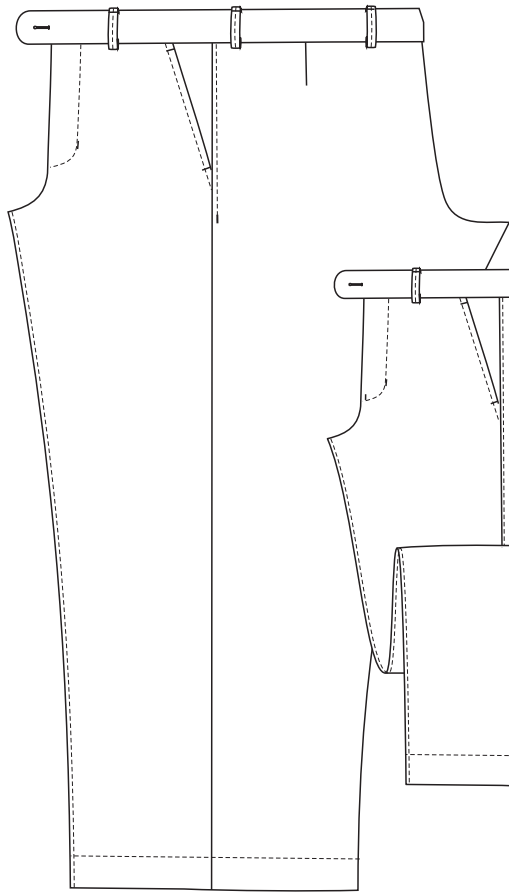
code  
**4A**  
jetted pockets  
with button



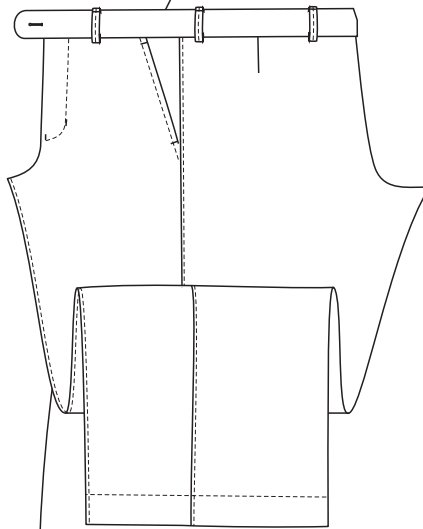
code  
**4L**  
jetted pockets  
with flap  
and button



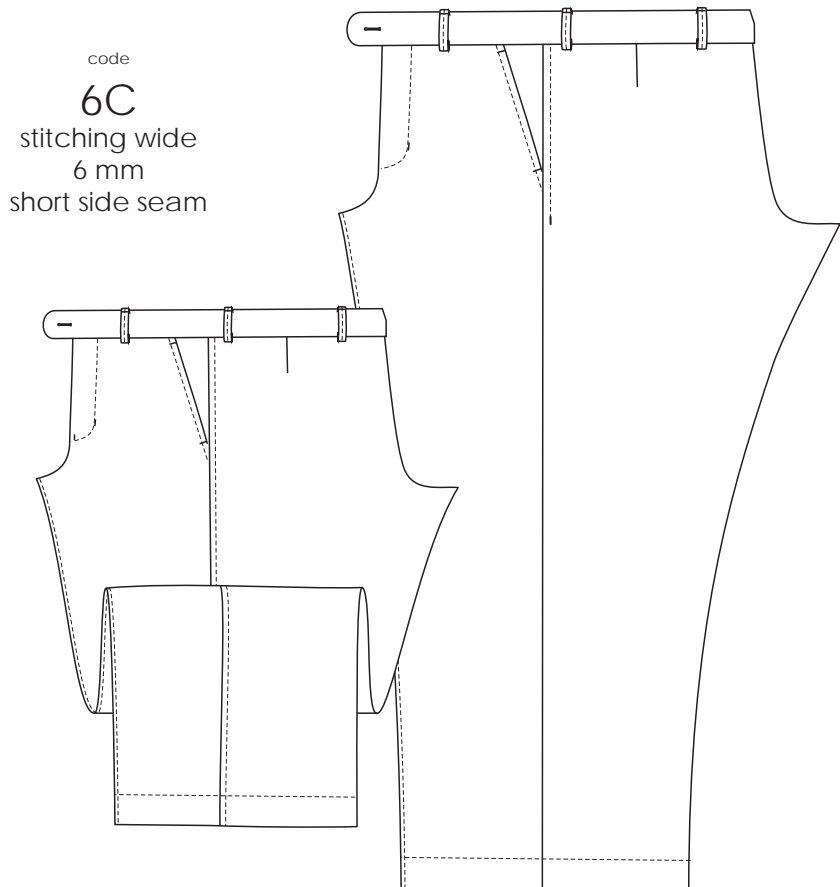
code  
**4C**  
welted pockets  
with button



code  
**6A**  
stitching narrow  
2 mm  
short side seam

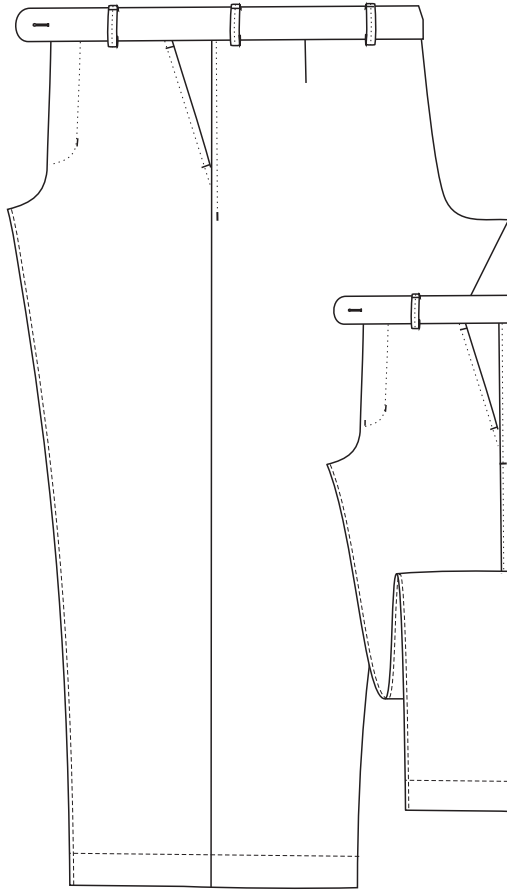


code  
**6AL**  
stitching narrow  
2 mm  
long side seam

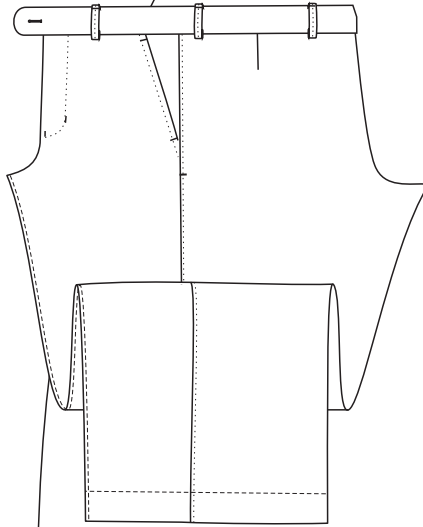


code  
**6C**  
stitching wide  
6 mm  
short side seam

code  
**6CL**  
stitching wide  
6 mm  
long side seam

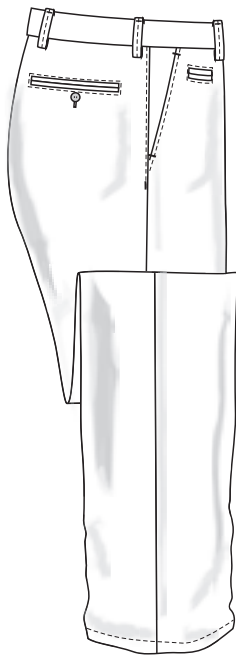


code  
**6E**  
 HSE wide  
 6 mm  
 short side seam

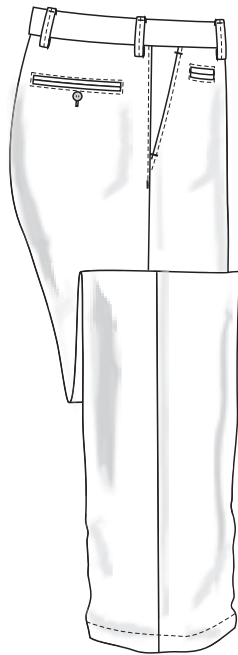


code  
**6EL**  
 HSE wide  
 6 mm  
 long side seam

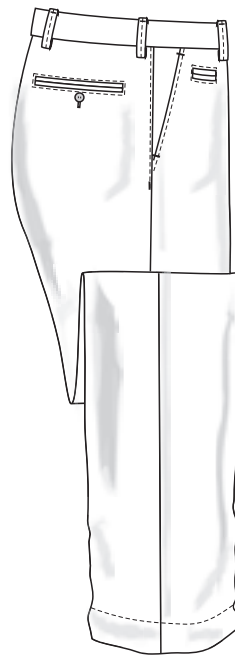
Bottom options



code  
**5J**  
 stitching 1,5 cm



code  
**5K**  
 stitching 2 cm



code  
**5L**  
 stitching 4 cm



code  
**5B**  
 turn up 4 cm

variant finished / variant unfinished  
**BF** / **BO**

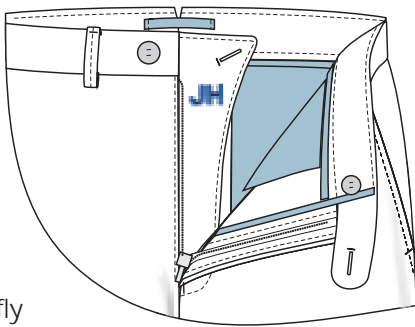
# Monogram

code  
**7A**  
without  
monogram

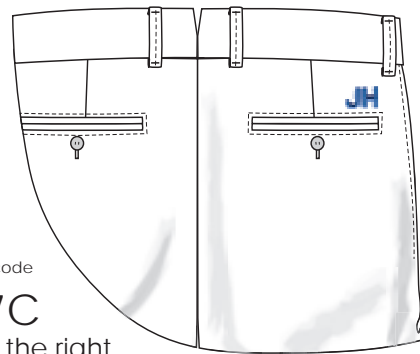
code  
**7G**  
right side  
pocket facing



code  
**7B**  
front fly



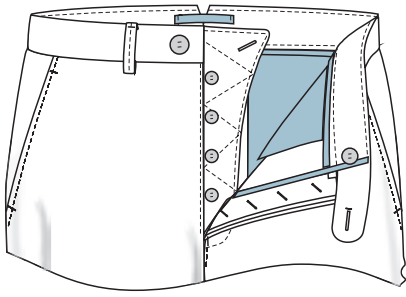
code  
**7C**  
above the right  
hip pocket



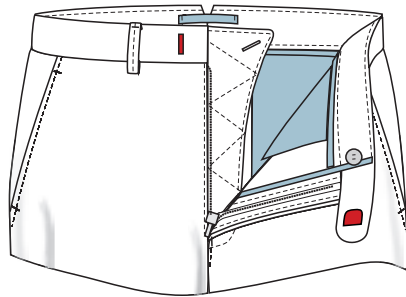
TN, Block Regular

PA, Script Italic

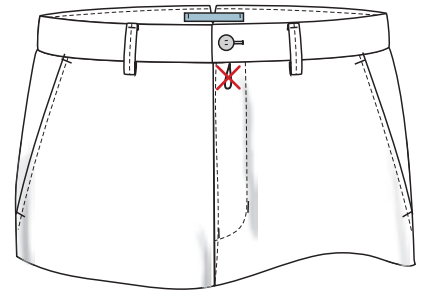
State the colour of the monogram  
on your order form.



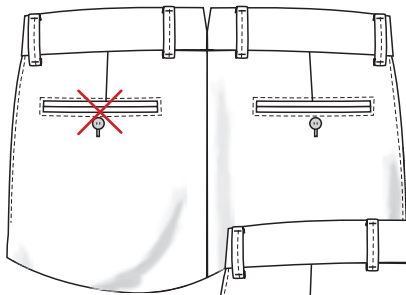
option  
**KV**  
button fly



option  
**HH**  
Hook instead  
of button

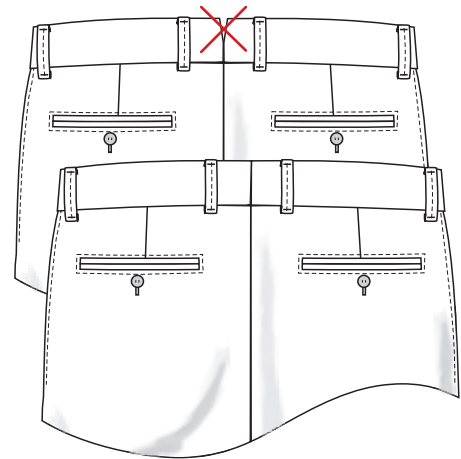
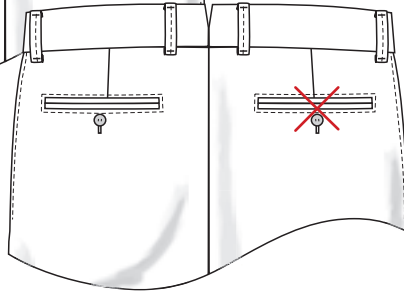


option  
**NDS**  
without  
belt prong loop



option  
**NBR**  
without right  
hip pocket

option  
**NBL**  
without left  
hip pocket



option  
**OCV**  
without centre  
back vent

five pocket outside optic  
/ trimmings possibilities

double buttoning / metal zipper  
/ belt prong loop



comfortable inside fabric waistband  
/ adjustable seat seam possible  
/ back hanger loop



Model  
ORANGE line

slim silhouett  
lower seat  
slim leg

Basic Style

code

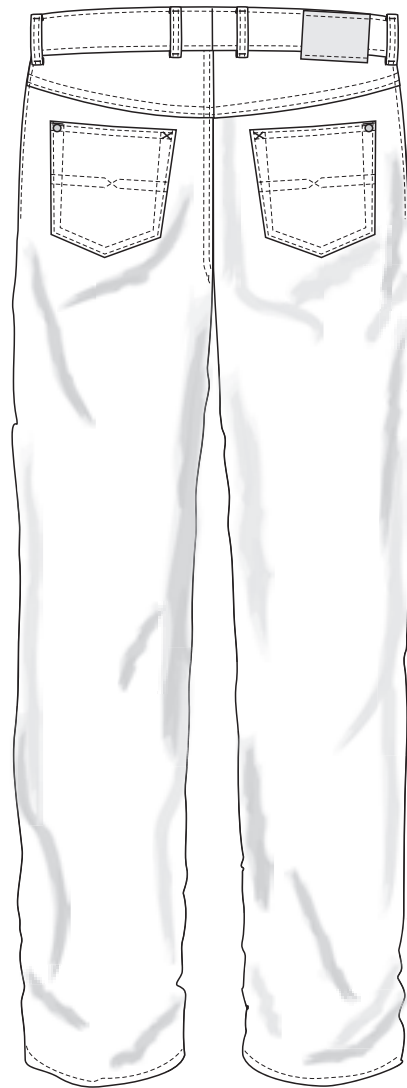
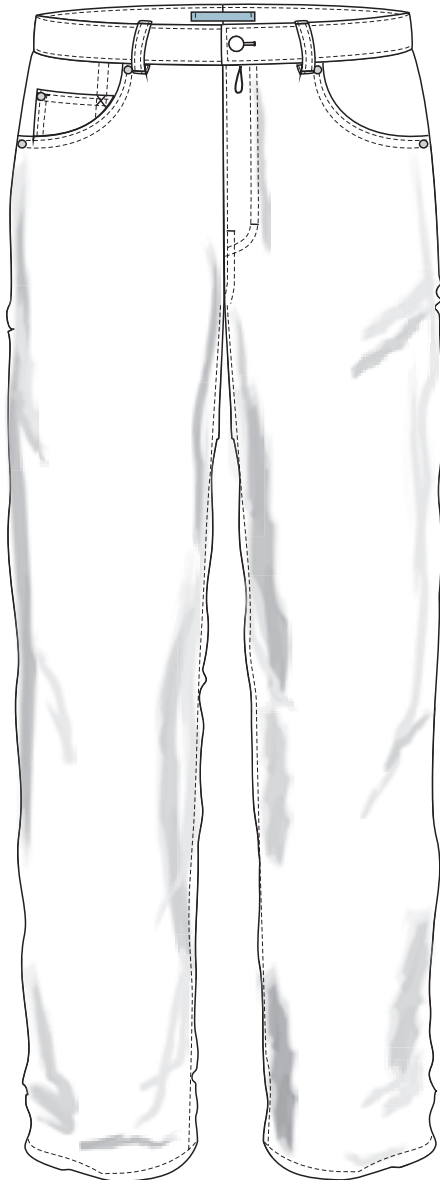
2A

Plain front without  
dartseam

Type

code

1FP  
normal



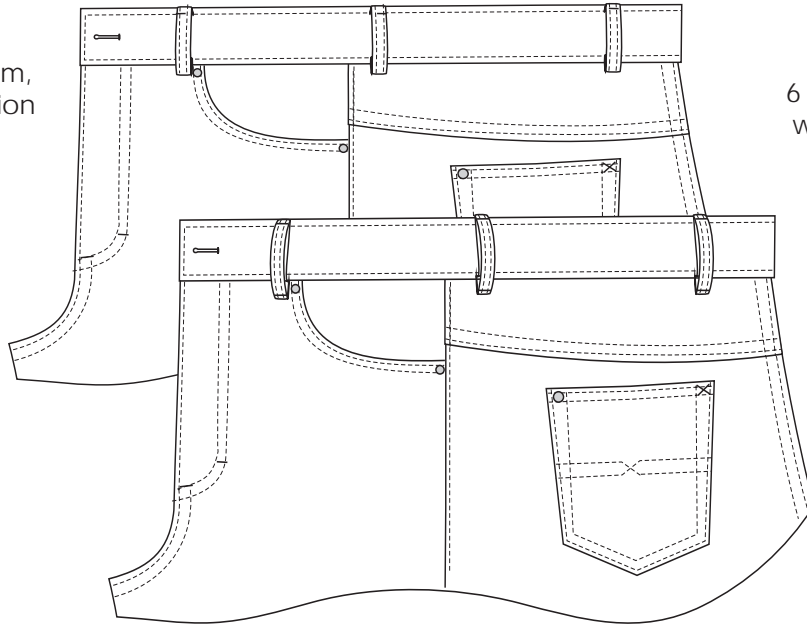


## Waistband

code

**8K**

Waistband 4 cm,  
without extension



variant

**01**

6 belt loops,  
width 1 cm

variant

**02**

6 belt  
double loops,  
width 1 cm

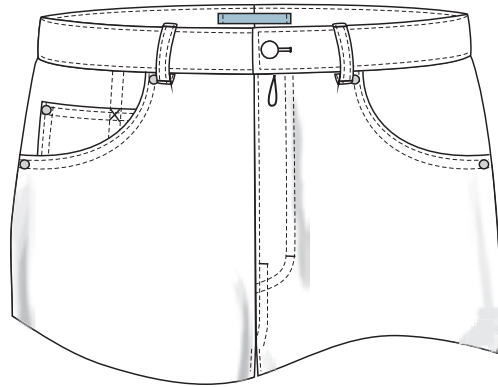


## Front pockets

code

**3E**

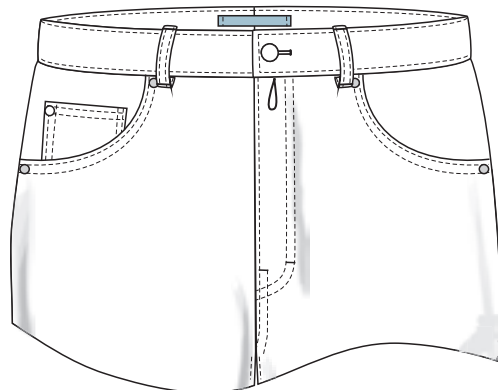
round pockets



variant

**01**

watch pocket  
type 1



variant

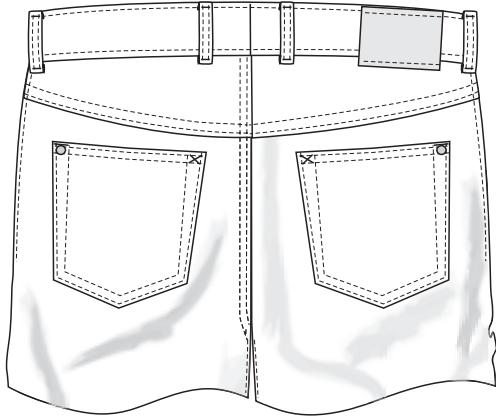
**02**

watch pocket  
type 2

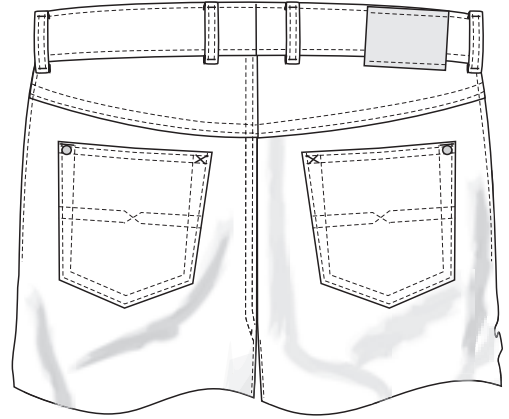
# Hip pockets

code

4M  
patch pockets  
type 1



variant  
00 without  
stitching



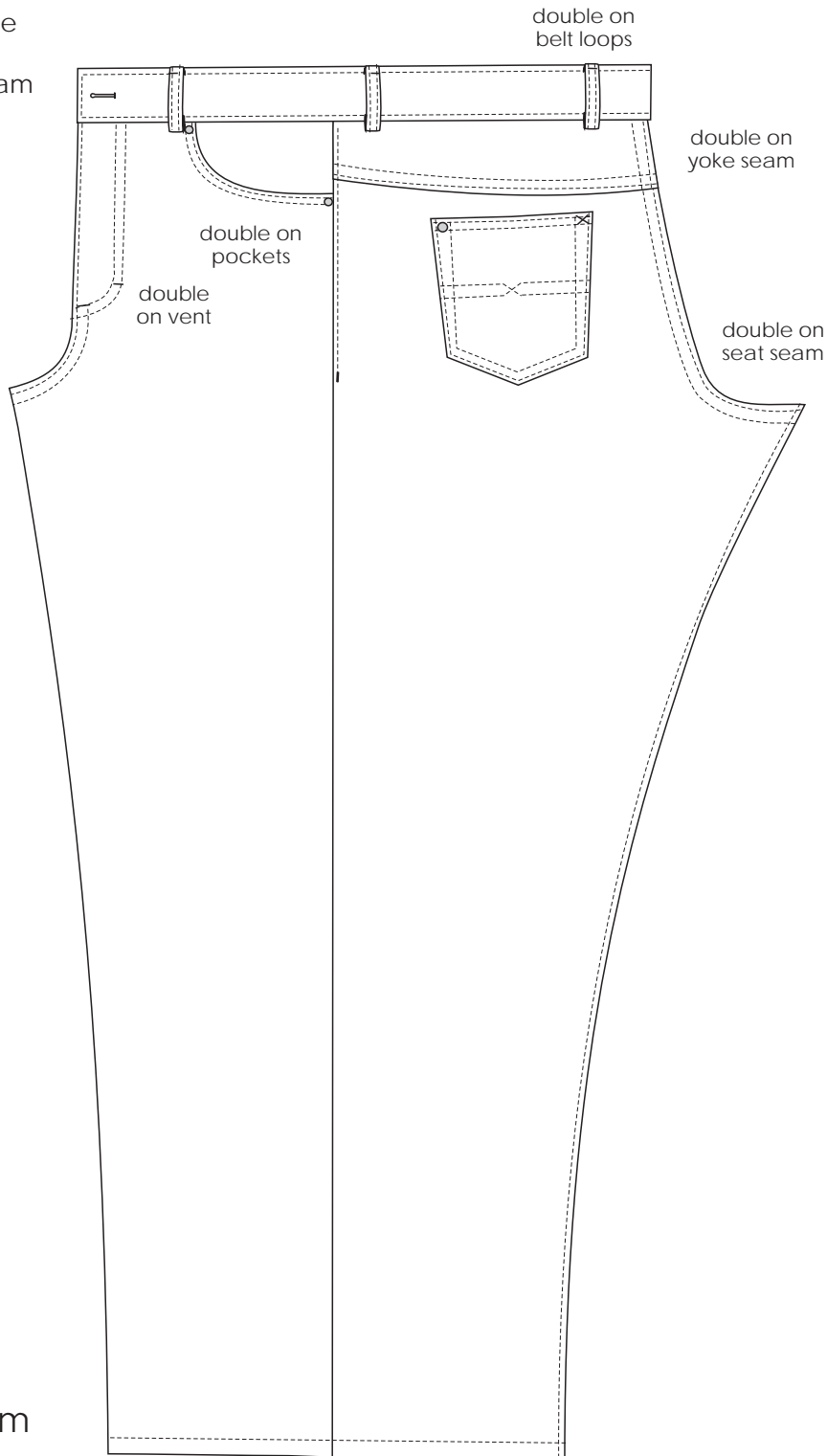
variant  
01 stitching  
type 1

# Stitching

code

**6B**

stitching,  
wide double  
2/8 mm,  
short side seam



# Bottom

code

**5J**

stitching 1,5 cm

variant

**BF**

finished

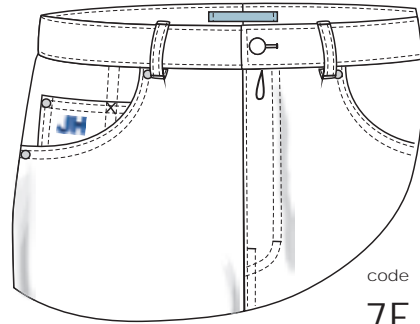
variant

**BO**

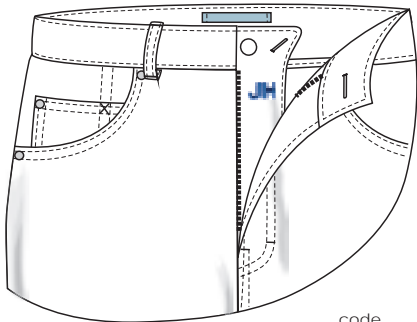
unfinished

# Monogram

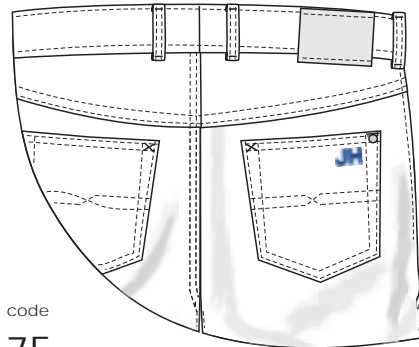
code  
**7A**  
without  
monogram



code  
**7E**  
watch pocket



code  
**7B**  
front fly



code  
**7F**  
hip pocket  
right



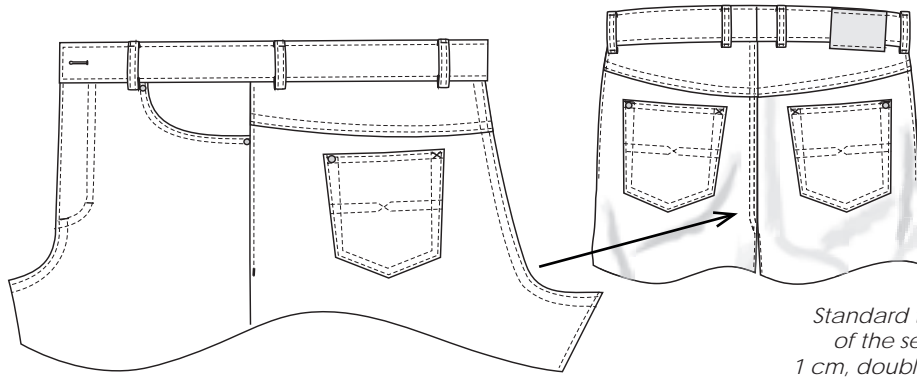
TN, Block Regular



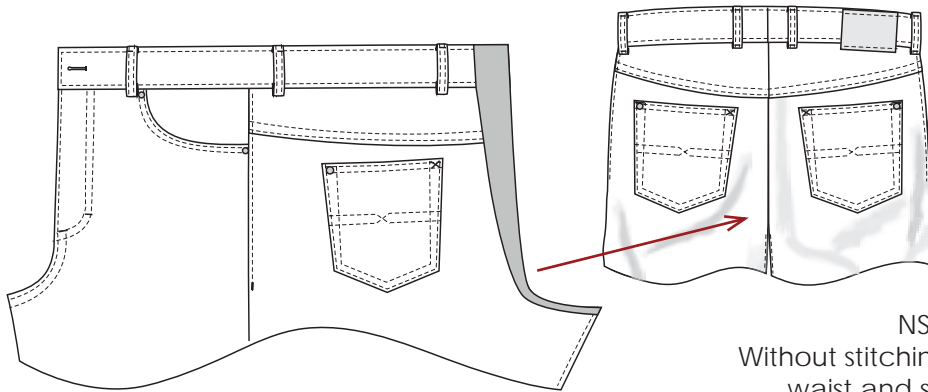
PA, Script Italic

# Style options

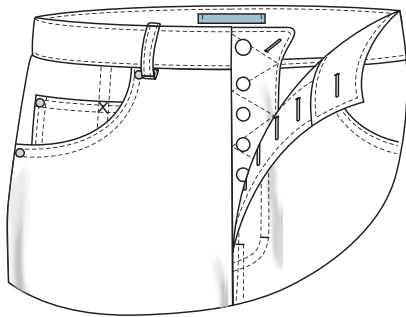
Option Waist and seat seam



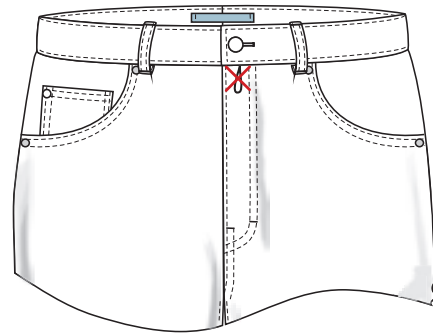
Standard technology  
of the seat seam:  
1 cm, double stitching 2/8



NSS  
Without stitching, adjustable  
waist and seat seam



option  
**KV**  
button fly



option  
**NDS**  
without  
belt prong loop

